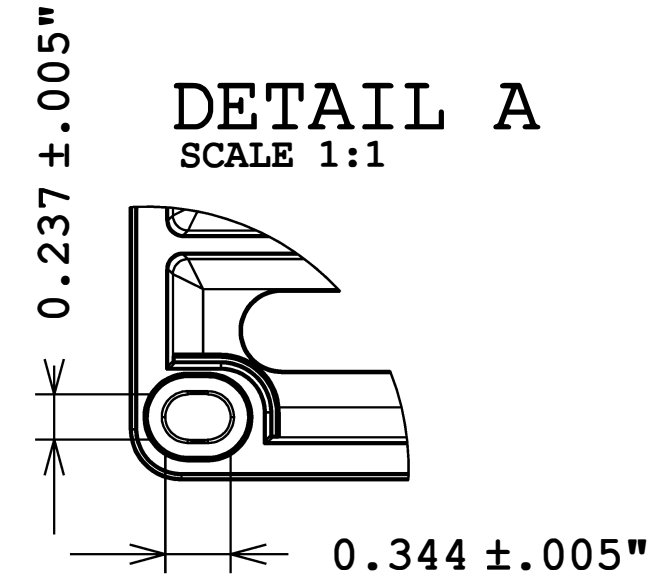
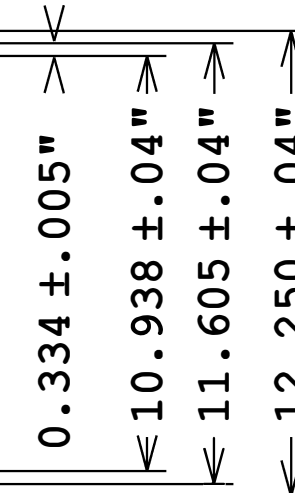
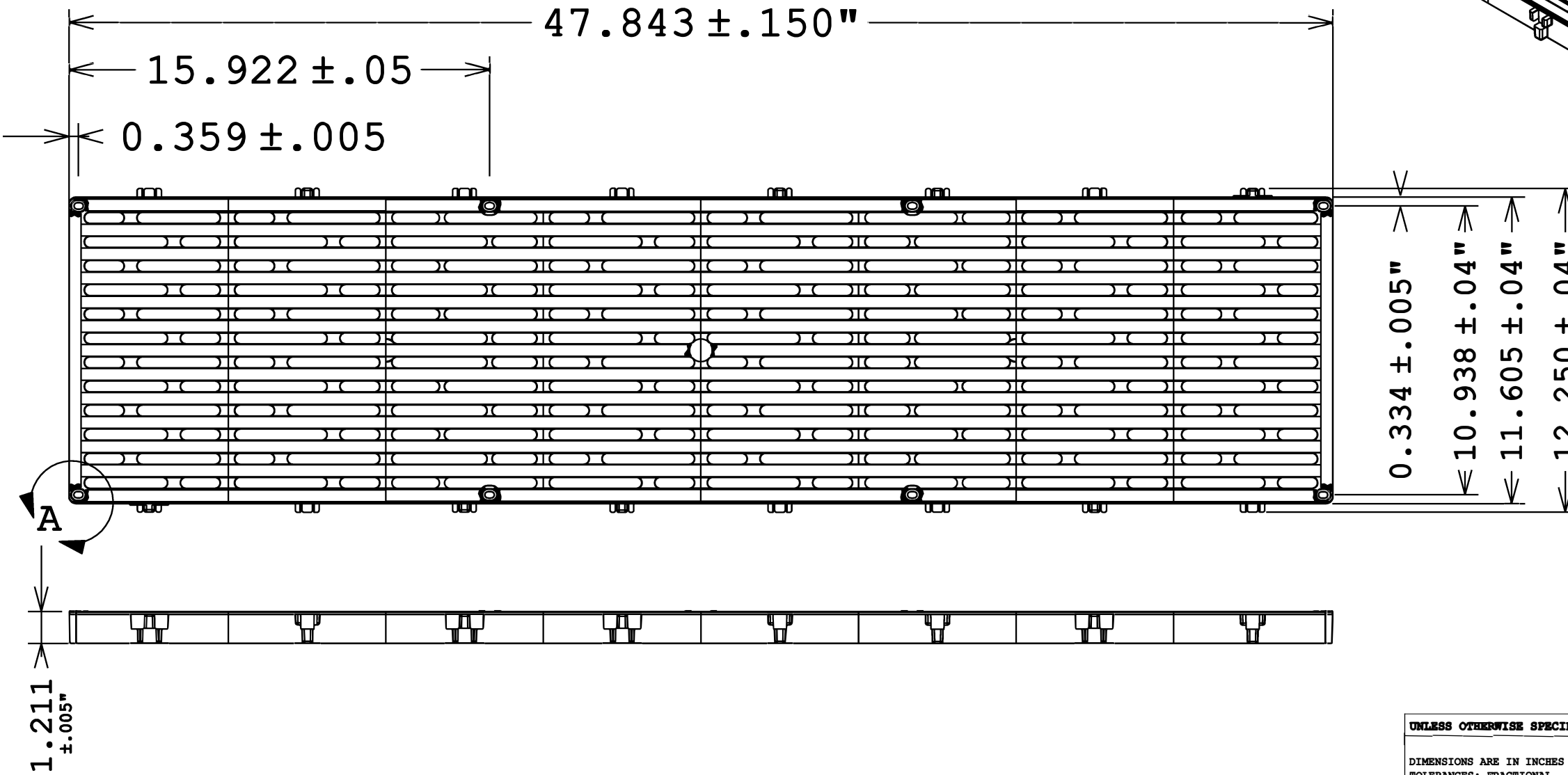
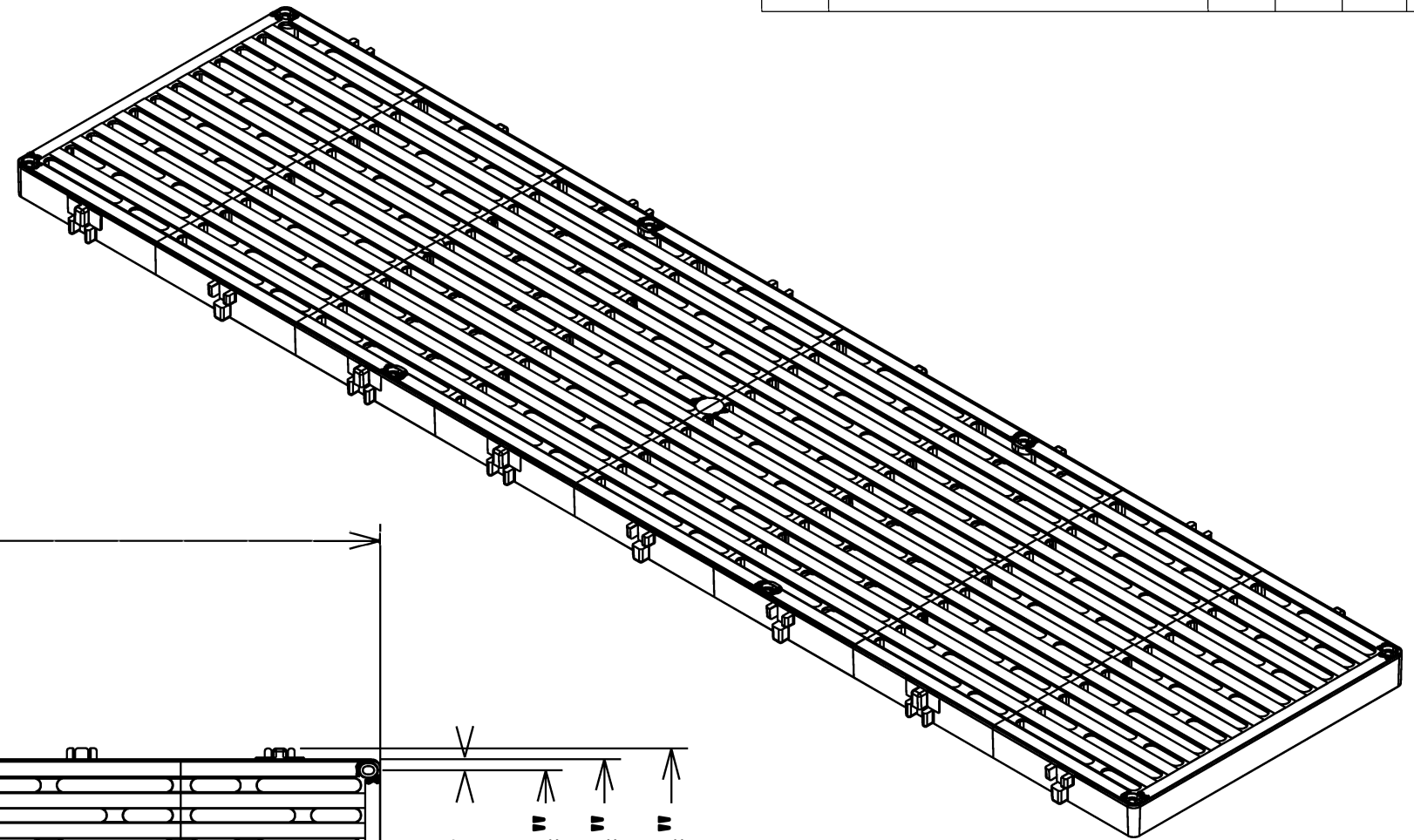




REV	DESCRIPTION	ECN	DRWN	DATE	APPROVED



NOTES: TEXTURE NOT SHOWN
 TEXTURE ADDS 0.015" TO PART HEIGHT
 FASTENING SLOTS ARE SYMMETRICAL

UNLESS OTHERWISE SPECIFIED		NAME	DATE	PART FILE	
DIMENSIONS ARE IN INCHES TOLERANCES: FRACTIONAL ANGULAR: MACH: BEND: TWO PLACE DECIMAL ± THREE PLACE DECIMAL ±		DRAWN		ThruFlow 4G Legacy 4x1 Panel.stp	
MATERIAL		CHECKED		TITLE	
FINISH NON-SLIP TEXTURE		ENG APPROVAL		Legacy 4ft	
DO NOT SCALE DRAWING		MFG APPROVAL		SIZE	REV
		QA APPROVAL		B	
				SCALE	1:5
				WEIGHT	
				SHEET	1 OF 1